

## DS-2CD2347G2P-LSU/SL 4 MP Panoramic Fixed Turret Network Camera

# ColorVu



Hikvision ColorVu technology provides 24/7 vivid colorful images with F1.0 advanced lenses, high performance sensors and friendly lighting. F1.0 super-aperture collects more light to produce brighter images. Advanced sensor technology can vastly improve the utilization of available light.

- High quality imaging with 4 MP resolution
- One image that presents all the scenes covered by the camera
- 24/7 colorful imaging
- Efficient H.265+ compression technology
- Clear imaging against strong back light due to 130 dB WDR technology
- Focus on human and vehicle classification based on deep learning
- Active strobe light and audio alarm to warn intruders off
- Water and dust resistant (IP67)

## ▪ Specification

| Camera                      |                                                                                                                                                                 |
|-----------------------------|-----------------------------------------------------------------------------------------------------------------------------------------------------------------|
| Image Sensor                | 2 × 1/2.5" Progressive Scan CMOS                                                                                                                                |
| Max. Resolution             | 3040 × 1368                                                                                                                                                     |
| Min. Illumination           | Color: 0.0005 Lux @ (F1.0, AGC ON), 0 Lux with light                                                                                                            |
| Shutter Time                | 1/3 s to 1/100,000 s                                                                                                                                            |
| Angle Adjustment            | Pan: -30° to 30°, tilt: -75° to 75°                                                                                                                             |
| Lens                        |                                                                                                                                                                 |
| Lens Type                   | Fixed focal lens, dual lens, 2.8 mm                                                                                                                             |
| Focal Length & FOV          | 2.8 mm, horizontal FOV: 180°, vertical FOV: 81°                                                                                                                 |
| Lens Mount                  | M12                                                                                                                                                             |
| Iris Type                   | Fixed                                                                                                                                                           |
| Aperture                    | F1.0                                                                                                                                                            |
| Depth of Field              | 2 m to ∞                                                                                                                                                        |
| DORI                        |                                                                                                                                                                 |
| DORI                        | 2.8 mm, D: 38 m, O: 15 m, R: 7.5 m, I: 3.5 m                                                                                                                    |
| Illuminator                 |                                                                                                                                                                 |
| Supplement Light Type       | White Light                                                                                                                                                     |
| Supplement Light Range      | Up to 30 m                                                                                                                                                      |
| Smart Supplement Light      | Yes                                                                                                                                                             |
| Video                       |                                                                                                                                                                 |
| Main Stream                 | 50 Hz: 25 fps (3040 × 1368)<br>60 Hz: 24 fps (3040 × 1368)                                                                                                      |
| Sub-Stream                  | 50 Hz: 25 fps (1200 × 536, 960 × 432)<br>60 Hz: 24 fps (1200 × 536, 960 × 432)                                                                                  |
| Video Compression           | Main stream: H.265+/H.265/H.264+/H.264,<br>Sub-stream: H.265/H.264/MJPEG                                                                                        |
| Video Bit Rate              | 32 Kbps to 8 Mbps                                                                                                                                               |
| H.264 Type                  | Baseline Profile, Main Profile, High Profile                                                                                                                    |
| H.265 Type                  | Main Profile                                                                                                                                                    |
| Bit Rate Control            | CBR, VBR                                                                                                                                                        |
| Scalable Video Coding (SVC) | H.264 and H.265 encoding                                                                                                                                        |
| Region of Interest (ROI)    | 1 fixed region(s) for main stream                                                                                                                               |
| Audio                       |                                                                                                                                                                 |
| Audio Type                  | Mono sound                                                                                                                                                      |
| Audio Compression           | G.711/G.722.1/G.726/MP2L2/PCM/MP3/AAC-LC                                                                                                                        |
| Audio Bit Rate              | 64 Kbps (G.711ulaw/G.711alaw)/16 Kbps (G.722.1)/16 Kbps (G.726)/32 to 192 Kbps (MP2L2)/8 to 320 Kbps (MP3)/16 to 64 Kbps (AAC-LC)                               |
| Audio Sampling Rate         | 8 kHz/16 kHz/32 kHz/44.1 kHz/48 kHz                                                                                                                             |
| Environment Noise Filtering | Yes                                                                                                                                                             |
| Network                     |                                                                                                                                                                 |
| Protocols                   | TCP/IP, ICMP, HTTP, HTTPS, FTP, DHCP, DNS, DDNS, RTP, RTSP, NTP, UPnP, SMTP, IGMP, 802.1X, QoS, IPv6, UDP, Bonjour, SSL/TLS, PPPoE, SNMP, Websocket, Websockets |
| Simultaneous Live View      | Up to 6 channels                                                                                                                                                |

|                          |                                                                                                                                                                                                                                                                                                                                                            |
|--------------------------|------------------------------------------------------------------------------------------------------------------------------------------------------------------------------------------------------------------------------------------------------------------------------------------------------------------------------------------------------------|
| API                      | Open Network Video Interface (Profile S, Profile G, Profile T), ISAPI, SDK                                                                                                                                                                                                                                                                                 |
| User/Host                | Up to 32 users<br>3 user levels: administrator, operator, and user                                                                                                                                                                                                                                                                                         |
| Security                 | Password protection, complicated password, HTTPS encryption, 802.1X authentication (EAP-MD5), watermark, IP address filter, basic and digest authentication for HTTP/HTTPS, WSSE and digest authentication for Open Network Video Interface, RTP/RTSP over HTTPS, control timeout settings, security audit log, TLS 1.2, host authentication (MAC address) |
| Network Storage          | NAS (NFS, SMB/CIFS), Auto Network Replenishment (ANR),<br>Together with high-end Hikvision memory card, memory card encryption and health detection are supported.                                                                                                                                                                                         |
| Client                   | iVMS-4200, Hik-Connect, Hik-Central                                                                                                                                                                                                                                                                                                                        |
| Web Browser              | Plug-in required live view: IE 10, IE 11<br>Plug-in free live view: Chrome 57.0+, Firefox 52.0+, Edge 89+<br>Local service: Chrome 57.0+, Firefox 52.0+, Edge 89+                                                                                                                                                                                          |
| <b>Image</b>             |                                                                                                                                                                                                                                                                                                                                                            |
| Image Parameters Switch  | Yes                                                                                                                                                                                                                                                                                                                                                        |
| Image Settings           | Saturation, brightness, contrast, sharpness, gain, white balance, adjustable by client software or web browser                                                                                                                                                                                                                                             |
| Day/Night Switch         | Day, Night, Auto, Schedule                                                                                                                                                                                                                                                                                                                                 |
| Wide Dynamic Range (WDR) | 130 dB                                                                                                                                                                                                                                                                                                                                                     |
| SNR                      | ≥ 52 dB                                                                                                                                                                                                                                                                                                                                                    |
| Image Enhancement        | BLC, HLC, 3D DNR                                                                                                                                                                                                                                                                                                                                           |
| <b>Interface</b>         |                                                                                                                                                                                                                                                                                                                                                            |
| Ethernet Interface       | 1 RJ45 10 M/100 M self-adaptive Ethernet port                                                                                                                                                                                                                                                                                                              |
| On-Board Storage         | Built-in memory card slot, support microSD/microSDHC/microSDXC card, up to 512 GB                                                                                                                                                                                                                                                                          |
| Built-in Microphone      | Yes                                                                                                                                                                                                                                                                                                                                                        |
| Built-in Speaker         | Max. power consumption: 1.2 W, max. sound pressure level: 10 cm: 95 dB.                                                                                                                                                                                                                                                                                    |
| Audio                    | 1 input (line in), terminal block, max. input amplitude: 3.3 Vpp, input impedance: 4.7 KΩ, interface type: non-equilibrium,<br>1 output (line out), terminal block, max. output amplitude: 3.3 Vpp, output impedance: 100 Ω, interface type: non-equilibrium                                                                                               |
| Alarm                    | 1 input(s), 1 output(s) (max. 24 VDC/24 VAC, 1 A)                                                                                                                                                                                                                                                                                                          |
| Reset Key                | Yes                                                                                                                                                                                                                                                                                                                                                        |
| <b>Event</b>             |                                                                                                                                                                                                                                                                                                                                                            |
| Basic Event              | Motion detection (support alarm triggering by specified target types (human and vehicle)), alarm input and output, flashing alarm light output, audible alarm output, exception                                                                                                                                                                            |
| Smart Event              | Line crossing detection, intrusion detection, region entrance detection, region exiting detection (support alarm triggered by specified target types (human and vehicle)), Scene change detection                                                                                                                                                          |
| Linkage                  | Upload to FTP/NAS/memory card, notify surveillance center, send email, trigger alarm output, trigger recording, trigger capture, audible warning, white light flashing                                                                                                                                                                                     |

| General                          |                                                                                                                                                                                                                                                                                                                                                       |
|----------------------------------|-------------------------------------------------------------------------------------------------------------------------------------------------------------------------------------------------------------------------------------------------------------------------------------------------------------------------------------------------------|
| Power                            | 12 VDC $\pm$ 25%, 0.88 A, max. 10.5 W, $\varnothing$ 5.5 mm coaxial power plug, reverse polarity protection,<br>PoE: 802.3af, Class 3, 36 V to 57 V, 0.35 A to 0.22 A, max. 12.5 W                                                                                                                                                                    |
| Material                         | Base: metal, cover: metal                                                                                                                                                                                                                                                                                                                             |
| Dimension                        | $\varnothing$ 140 mm $\times$ 145.6 mm ( $\varnothing$ 5.5" $\times$ 5.7")                                                                                                                                                                                                                                                                            |
| Package Dimension                | 230 mm $\times$ 230 mm $\times$ 230 mm (9" $\times$ 9" $\times$ 9")                                                                                                                                                                                                                                                                                   |
| Weight                           | Approx. 920 g (2.0 lb.)                                                                                                                                                                                                                                                                                                                               |
| With Package Weight              | Approx. 1670 g (3.7 lb.)                                                                                                                                                                                                                                                                                                                              |
| Storage Conditions               | -30 °C to 60 °C (-22 °F to 140 °F). Humidity 95% or less (non-condensing)                                                                                                                                                                                                                                                                             |
| Startup and Operating Conditions | -30 °C to 60 °C (-22 °F to 140 °F). Humidity 95% or less (non-condensing)                                                                                                                                                                                                                                                                             |
| Language                         | 33 languages: English, Russian, Estonian, Bulgarian, Hungarian, Greek, German, Italian, Czech, Slovak, French, Polish, Dutch, Portuguese, Spanish, Romanian, Danish, Swedish, Norwegian, Finnish, Croatian, Slovenian, Serbian, Turkish, Korean, Traditional Chinese, Thai, Vietnamese, Japanese, Latvian, Lithuanian, Portuguese (Brazil), Ukrainian |
| General Function                 | Anti-banding, heartbeat, mirror, flash log, pixel counter                                                                                                                                                                                                                                                                                             |
| Flashing Light                   | Yes                                                                                                                                                                                                                                                                                                                                                   |
| Approval                         |                                                                                                                                                                                                                                                                                                                                                       |
| EMC                              | FCC: 47 CFR Part 15, Subpart B,<br>CE-EMC: EN 55032: 2015, EN 61000-3-2:2019, EN 61000-3-3: 2013+A1:2019, EN 50130-4: 2011 +A1: 2014,<br>RCM: AS/NZS CISPR 32: 2015,<br>IC: ICES-003: Issue 7                                                                                                                                                         |
| Safety                           | UL: UL 62368-1,<br>CB: IEC 62368-1: 2014+A11,<br>CE-LVD: EN 62368-1: 2014/A11: 2017                                                                                                                                                                                                                                                                   |
| Environment                      | CE-RoHS: 2011/65/EU,<br>WEEE: 2012/19/EU,<br>Reach: Regulation (EC) No 1907/2006                                                                                                                                                                                                                                                                      |
| Protection                       | IP67: IEC 60529-2013                                                                                                                                                                                                                                                                                                                                  |

### ▪ Available Model

DS-2CD2347G2P-LSU/SL (2.8 mm)

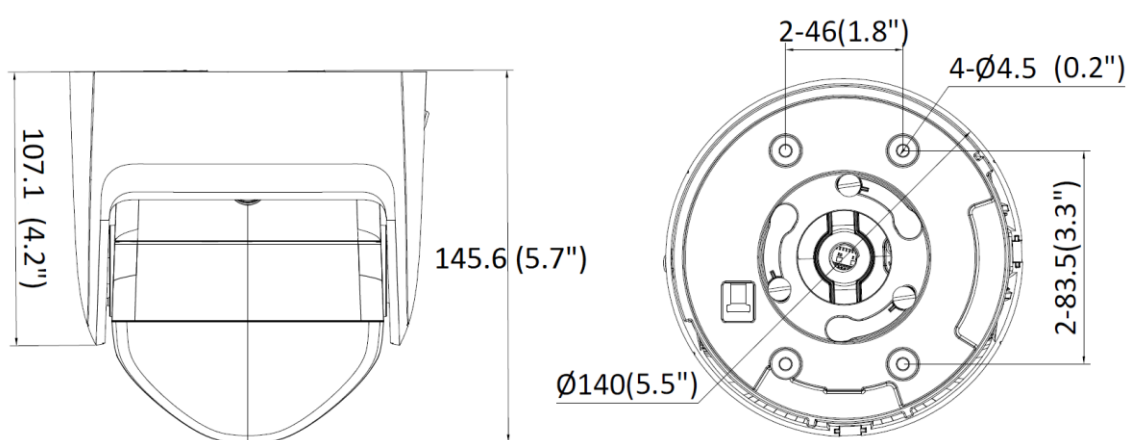
### ▪ Typical Application

Hikvision products are classified into three levels according to their anti-corrosion performance. Refer to the following description to choose for your using environment.

This model has NO SPECIFIC PROTECTION.

| Level                  | Description                                                                                                                                                                                                                                            |
|------------------------|--------------------------------------------------------------------------------------------------------------------------------------------------------------------------------------------------------------------------------------------------------|
| Top-level protection   | Hikvision products at this level are equipped for use in areas where professional anti-corrosion protection is a must. Typical application scenarios include coastlines, docks, chemical plants, and more.                                             |
| Moderate protection    | Hikvision products at this level are equipped for use in areas with moderate anti-corrosion demands. Typical application scenarios include coastal areas about 2 kilometers (1.24 miles) away from coastlines, as well as areas affected by acid rain. |
| No specific protection | Hikvision products at this level are equipped for use in areas where no specific anti-corrosion protection is needed.                                                                                                                                  |




▪ **Dimension**



Unit: mm(inch)

▪ **Accessory**

▪ **Optional**

| DS-1273ZJ-140<br>Wall Mount                                                         | DS-1271ZJ-140<br>Pendant Mount                                                      | DS-1273ZJ-140B<br>Wall Mount                                                          |
|-------------------------------------------------------------------------------------|-------------------------------------------------------------------------------------|---------------------------------------------------------------------------------------|
|  |  |  |

**Headquarters**

No.555 Qianmo Road, Binjiang District,  
Hangzhou 310051, China  
T +86-571-8807-5998  
www.hikvision.com



Follow us on social media to get the latest product and solution information.

