

DHI-SSD-C900 PLUS Series

NVMe M.2 Solid State Drive



- Adopts high-quality 3D NAND wafer level chip
- Supports PCIe3.0 x4 and NVMe 1.3 protocol
- All-metal cooling plate is included; equipped with intelligent temperature control technology
- Adopts TRIM to improve read/write performance and speed
- Supports Max. Write technology for full-disk SLC cache
- Supports LDPC ECC to enhance data reliability
- Low power consumption management

System Overview

As a new generation of NVMe SSD product launched by Dahua, C900 PLUS series adopts high-quality 3D NAND wafer level chip and advanced Shasta+ IG5216 controller from InnoGrit. It supports Gen3.0 and 4-channel high-speed broadband transmission with read speed up to 3400 MB/s and write speed up to 3,000 MB/s. The SSD is equipped with aluminum cooling plate to reduce temperature, and ensure stability and efficiency of the controller and flash memory chip for a longer time in high-load read and write.

Scene

As a consumer-grade NVMe M.2 SSD, the product is designed for tech-savvy high-end users, gamers and professionals, and is applicable to high workloads such as video production/editing and simulation.

Technical Specification

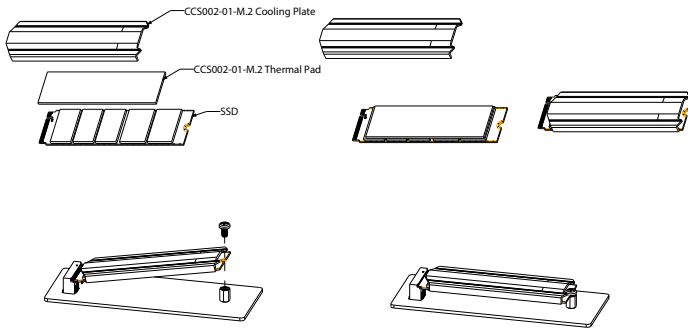
Product Model	DHI-SSD-C900VN256G	DHI-SSD-C900VN512G	DHI-SSD-C900VN1TB
Capacity ¹	256 GB	512 GB	1 TB
Form Factor	M.2 2280		
Port	PCIe Gen 3.0 x 4		
Net Weight	Max. 8 g (0.02 lb)		
Product Dimensions ²	80.00 mm × 23.00 mm × 4.80 mm (3.15" × 0.91" × 0.19")		
Packaging Dimensions	140.5 mm × 105.5 mm × 15.50 mm (5.53" × 4.15" × 0.61")		
Memory Component	3D TLC		
Power Consumption ³	2.93 W (max); 0.488 W (idle)	3.689 W (max); 0.611 W (idle)	4.10 W (max); 0.611 W (idle)
S.M.A.R.T	Yes		
TRIM	Yes		
Garbage Collection	Yes		

Sequential Read ³	Up to 3,000 MB/s	Up to 3,200 MB/s	Up to 3,400MB/s
Sequential Write ³	Up to 1,450MB/s	Up to 2,500MB/s	Up to 3,000MB/s
4K Random Read ³	Up to 100,000	Up to 200,000	Up to 360,000
4K Random Write ³	Up to 280,000	Up to 300,000	Up to 280,000
MTBF	1,500,000 hours		
Operating Temperature	0 °C to +70 °C (+32 °F to +158 °F)		
Storage Temperature	-40 °C to +85 °C (-40 °F to +185 °F)		
Operating Humidity	5%–95% (non-condensing)		
Vibration Resistance	7-800 Hz, 3.08 G		
Shock Resistance	1,500 G/0.5 ms (half sine wave)		
TBW	128TB	256TB	512 TB
Warranty ⁴	3-year limited warranty		
Reference Information	<ol style="list-style-type: none"> 1. Capacity calculation: 1 GB = 1 billion bytes (IDEMA). Actual available capacity might be reduced (due to formatting, partition, operating system applications, or other necessary usage). 2. The dimensions are after installing cooling plate. 3. System configuration of performance test: Chip–Intel Z390 Chipset, Intel Core i9-9900KF@3.6GHz, 16GB DDR4; operating system–Windows 10 x64; testing tool–CrystalDiskMark 6.0.0. 4. Warranty period or maximum write amount (TBW), whichever comes first. 5. High performance SLC cache has been enabled. 		

Ordering Information

Type	Model	Description
C900 PLUS Series	DHI-SSD-C900VN256G	M.2 2280 PCIe G3x4 (Dramless) SSD DHI-SSD-C900VN256G
	DHI-SSD-C900VN512G	M.2 2280 PCIe G3x4 (Dramless) SSD DHI-SSD-C900VN512G
	DHI-SSD-C900VN1TB	M.2 2280 PCIe G3x4 (Dramless) SSD DHI-SSD-C900VN1TB

Installation



Dimensions (mm[inch])

